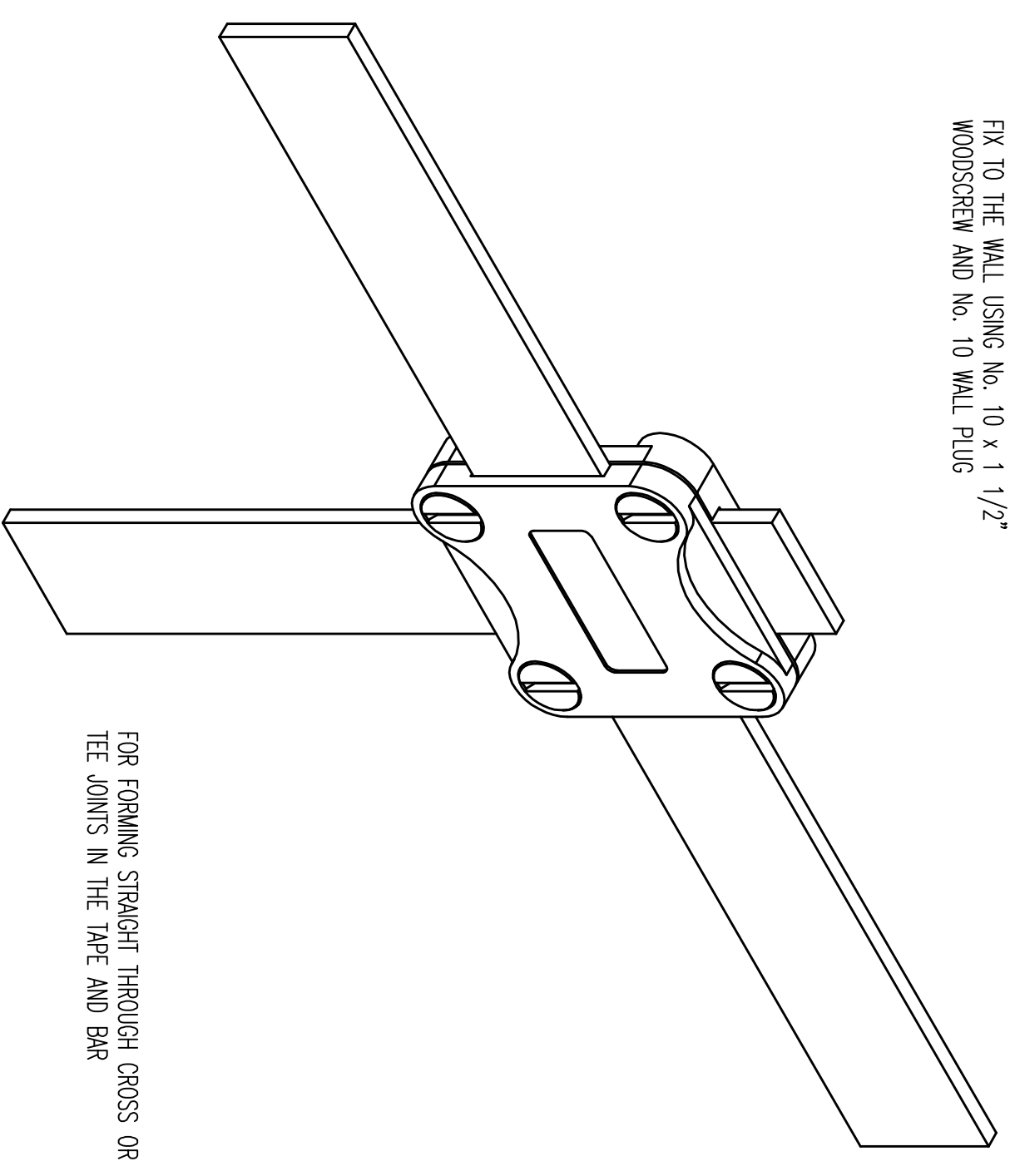
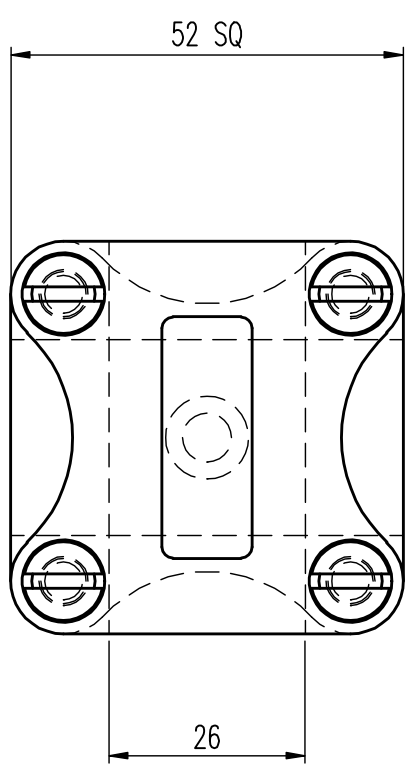


FIX TO THE WALL USING No. 10 x 1 1/2"
WOODSCREW AND No. 10 WALL PLUG



ISSUE	13	18.03.02	DESIGN CHANGE TO SUIT MANUFACTURE	J.B.	PW
DATE			REVISION	DRN	APP

GENERAL NOTES:
1. All dimensions in mm unless stated otherwise.
FURSE RESERVE THE RIGHT TO ALTER THE DESIGN OF ANY PRODUCT WITHOUT NOTICE.

furse
Wilford Road,
Nottingham,
NG2 1EB
Great Britain

Tel: 0115 964 3700
Fax: 0115 986 0538.

Thomas & Betts

MATERIAL: ALUMINIUM ALLOY AND STAINLESS STEEL
FINISH: SELF COLOUR
GENERAL TOLERANCES: DIMENSIONS OF 40 OR GREATER ± 2% DIMENSIONS OF LESS THAN 40 ± 0.5

TITLE: SQUARE TAPE CLAMP SUITABLE FOR 25 x 3 mm TAPE
CAD REF: \cad\elp\customer\fixtures\
DRG.No: CT007-C

DATE:	18.03.02	DRN:	J.B.
SCALE:	1:1	CHKD:	PW
SHEET:	1 OF 1	APP:	PW
PROJ:	E&LP.	REV:	13