

# Steel Tubular Columns (QCZR)

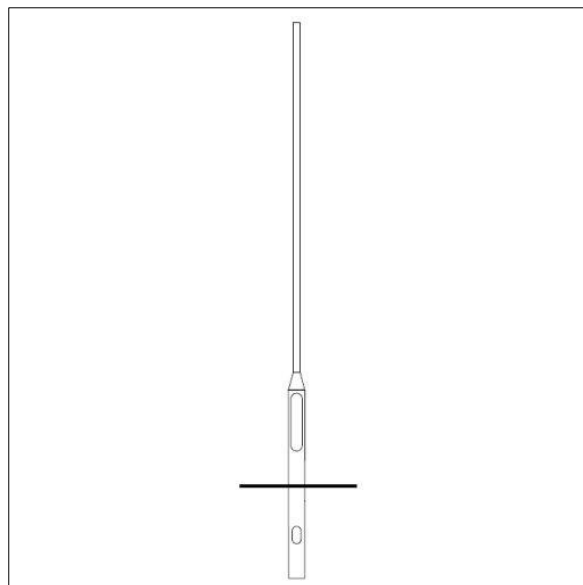
96227674 QCZR COL 4M MGR ST LN NMA

THORN

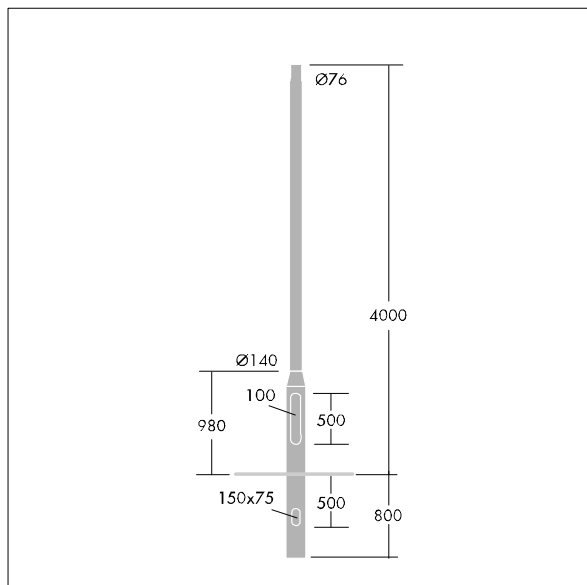
## Steel Tubular Columns (QCZR)

Steel Tubular Columns (QCZR) 4000 mm steel and rooted column, 76 mm Ø shaft, no top spigot

Weight: 35 kg



TLG\_QCZR.jpg



TLG\_96227674.wmf

All values marked with an \* are rated values. Unless stated otherwise, the values apply to an ambient temperature of 25°C.

Thorn Lighting is constantly developing and improving its products. The right is reserved to change specifications without prior notification or public announcement.  
© Thorn Lighting