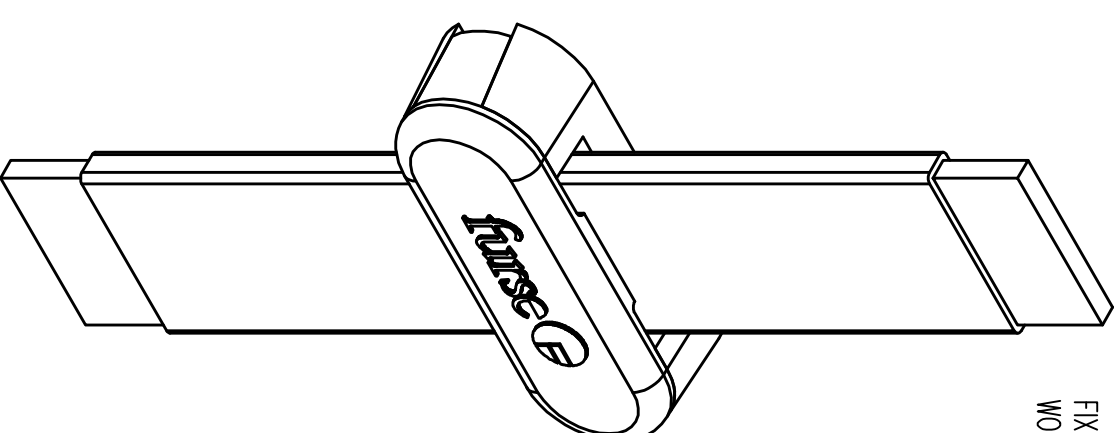
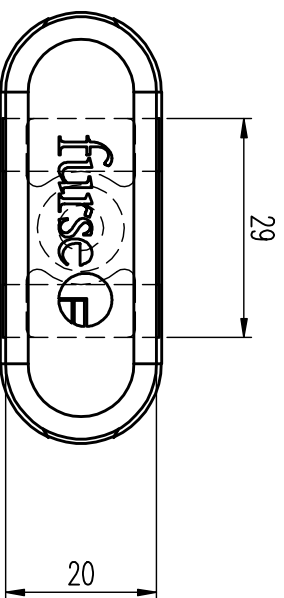
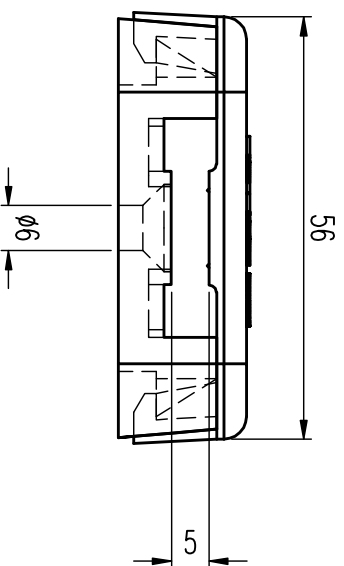
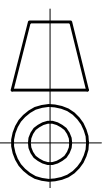


FIRST ANGLE PROJECTION



FIX TO THE WALL USING No. 10 x 1 1/2"  
WOODSCREW AND WALL PLUG

ISSUE	DATE	REVISION	C\NOTE	DRN	APP
1	11.04.00	NEW DRAWING (AUTOCAD R14)		J.B.	JLB

**A3**

GENERAL NOTES:  
1. All dimensions in mm unless stated otherwise.  
W.J.FURSE RESERVE THE RIGHT TO ALTER  
THE DESIGN OF ANY PRODUCT WITHOUT NOTICE.



**W.J. Furse & Co. Ltd.**  
Wilford Road,  
Nottingham,  
NG2 1EB.  
Tel: 0115 986 3471.  
Fax: 0115 986 0538.

**Thomas & Bolts**

MATERIAL	POLYPROP		TITLE	NON-METALLIC 'DC' CLIP SUITABLE FOR 25 x 3mm PVC TAPE		DATE	11.04.00	DRN	J.B.
FINISH	BROWN		CAD REF	\cad\elp\customer\fixtures\ CP025-C		SCALE	1:1	CHKD	JLB
			DRG.No.			SHEET	1 OF 1	APP	JLB
						DEPT	E&LP.	REV	1