

# COMPACT HORIZONTAL

The Stelrad Compact is the UK's best-selling and most comprehensive range of compact radiators. They're proven, high performance winners - ideal for every room and every application where space is at a premium.

<i>RANGE</i>	184
<i>TYPES</i>	P1, K1, P+, K2
<i>HEIGHTS (MM)</i>	300 - 700
<i>LENGTHS (MM)</i>	400 - 3000
<i>OUTPUTS (WATTS)</i>	190 - 5883
<i>OUTPUTS (BTU/HR)</i>	648 - 20079
<i>WORKING PRESSURE</i>	10 bar



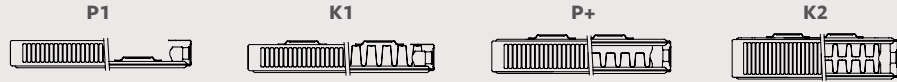


# Compact Horizontal

**Stelrad** Series



**50 Δt**  
(75/65/20°C)



Height mm	Length mm	Sections	P1			K1			P+			K2		
			Stelrad UIN	Heat output Watts	Btu/hr	Stelrad UIN	Heat output Watts	Btu/hr	Stelrad UIN	Heat output Watts	Btu/hr	Stelrad UIN	Heat output Watts	Btu/hr
<b>300</b>	500	15	-	-	-	143650	255	870	143656	373	1273	143662	491	1676
	1000	30	-	-	-	143651	509	1737	143657	745	2543	143663	982	3352
	1500	45	-	-	-	143652	764	2608	143658	1118	3816	143664	1473	5027
	2000	60	-	-	-	143653	1018	3474	143659	1490	5085	143665	1964	6703
	2500	75	-	-	-	143654	1273	4345	143660	1863	6358	143666	2455	8379
	3000	90	-	-	-	143655	1527	5212	143661	2235	7628	143667	2946	10055
<b>450</b>	400	12	143668	190	648	143680	302	1031	143698	422	1440	143716	548	1870
	500	15	143669	237	809	143681	378	1290	143699	528	1802	143717	686	2341
	600	18	-	-	-	143682	454	1550	143700	633	2160	143718	823	2809
	700	21	-	-	-	143683	529	1805	143701	739	2522	143719	960	3276
	800	24	-	-	-	143684	605	2065	143702	844	2881	143720	1097	3744
	900	27	-	-	-	143685	680	2321	143703	950	3242	143721	1234	4212
	1000	30	-	-	-	143686	756	2580	143704	1055	3601	143722	1371	4679
	1100	33	-	-	-	143687	832	2840	143705	1161	3962	143723	1508	5147
	1200	36	-	-	-	143688	907	3096	143706	1266	4321	143724	1645	5614
	1400	42	-	-	-	143689	1058	3611	143707	1477	5041	143725	1919	6550
	1600	48	-	-	-	143690	1210	4130	143708	1688	5761	143726	2194	7488
	1800	54	-	-	-	143691	1361	4645	143709	1899	6481	143727	2468	8423
	2000	60	-	-	-	143692	1512	5160	143710	2110	7201	143728	2742	9358
	2200	66	-	-	-	143693	1663	5676	143711	2321	7922	143729	3016	10294
2400	72	-	-	-	143694	1814	6191	143712	2532	8642	143730	3290	11229	
2600	78	-	-	-	143695	1966	6710	143713	2743	9362	143731	3565	12167	
2800	84	-	-	-	143696	2117	7225	143714	2954	10082	143732	3839	13103	
3000	90	-	-	-	143697	2268	7741	143715	3165	10802	143733	4113	14038	
<b>600</b>	400	12	143734	248	846	143746	392	1338	143764	538	1836	143782	693	2365
	500	15	-	-	-	143747	490	1672	143765	673	2297	143783	866	2956
	600	18	-	-	-	143748	588	2007	143766	807	2754	143784	1039	3546
	700	21	-	-	-	143749	686	2341	143767	942	3215	143785	1212	4137
	800	24	-	-	-	143750	784	2676	143768	1076	3672	143786	1386	4730
	900	27	-	-	-	143751	882	3010	143769	1211	4133	143787	1559	5321
	1000	30	-	-	-	143752	980	3345	143770	1345	4590	143788	1732	5911
	1100	33	-	-	-	143753	1078	3679	143771	1480	5051	143789	1905	6502
	1200	36	-	-	-	143754	1176	4014	143772	1614	5509	143790	2078	7092
	1400	42	-	-	-	143755	1372	4683	143773	1883	6427	143791	2425	8277
	1600	48	-	-	-	143756	1568	5352	143774	2152	7345	143792	2771	9457
	1800	54	-	-	-	143757	1764	6021	143775	2421	8263	143793	3118	10642
	2000	60	-	-	-	143758	1960	6689	143776	2690	9181	143794	3464	11823
	2200	66	-	-	-	143759	2156	7358	143777	2959	10099	143795	3810	13004
2400	72	-	-	-	143760	2352	8027	143778	3228	11017	143796	4157	14188	
2600	78	-	-	-	143761	2548	8696	143779	3497	11935	143797	4503	15369	
2800	84	-	-	-	143762	2744	9365	143780	3766	12853	143798	4850	16553	
3000	90	-	-	-	143763	2940	10034	143781	4035	13771	143799	5196	17734	
<b>700</b>	400	12	-	-	-	143812	447	1526	143830	612	2089	143848	784	2676
	500	15	-	-	-	143813	559	1908	143831	765	2611	143849	981	3348
	600	18	-	-	-	143814	670	2287	143832	918	3133	143850	1177	4017
	700	21	-	-	-	143815	782	2669	143833	1071	3655	143851	1373	4686
	800	24	-	-	-	143816	894	3051	143834	1224	4178	143852	1569	5355
	900	27	-	-	-	143817	1005	3430	143835	1377	4700	143853	1765	6024
	1000	30	-	-	-	143818	1117	3812	143836	1530	5222	143854	1961	6693
	1100	33	-	-	-	143819	1229	4195	143837	1683	5744	143855	2157	7362
	1200	36	-	-	-	143820	1340	4573	143838	1836	6266	143856	2353	8031
	1400	42	-	-	-	143821	1564	5338	143839	2142	7311	143857	2745	9369
	1600	48	-	-	-	143822	1787	6099	143840	2448	8355	143858	3138	10710
	1800	54	-	-	-	143823	2011	6864	143841	2754	9399	143859	3530	12048
	2000	60	-	-	-	143824	2234	7625	143842	3060	10444	143860	3922	13386
	2200	66	-	-	-	143825	2457	8386	143843	3366	11488	143861	4314	14724
2400	72	-	-	-	143826	2681	9150	143844	3672	12533	143862	4706	16062	
2600	78	-	-	-	143827	2904	9911	143845	3978	13577	143863	5099	17403	
2800	84	-	-	-	143828	3128	10676	143846	4284	14621	143864	5491	18741	
3000	90	-	-	-	143829	3351	11437	143847	4590	15666	143865	5883	20079	

Δt50 is the UK's industry standard for heating outputs, which has an operating temperature of 75/65/20°C. If you have a low temperature heat source you may wish to consider Δt40 or Δt30 output (see your installer or system designer or download from [www.stelrad.com](http://www.stelrad.com)).

# Compact Horizontal

**Stelrad** Series

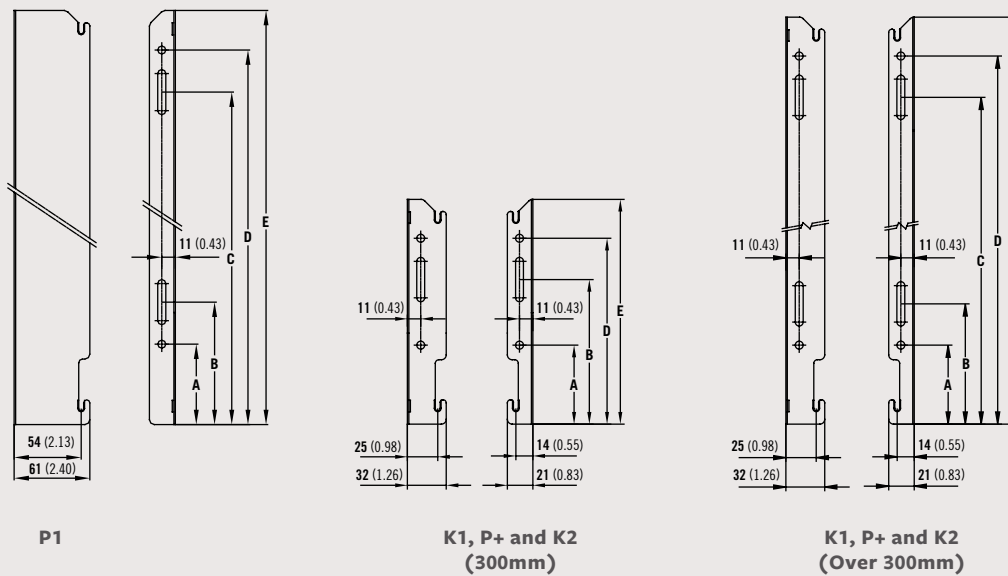


## EN 442 CERTIFICATION DATA - CETIAT TESTED IN ACCORDANCE WITH BS EN 442

Type	P1		K1				P+				K2			
	450	600	300	450	600	700	300	450	600	700	300	450	600	700
Height	450	600	300	450	600	700	300	450	600	700	300	450	600	700
W/m at 75/65/20	474	619	509	756	980	1117	745	1055	1345	1530	982	1371	1732	1961
n-coefficients	1.33	1.33	1.32	1.31	1.29	1.29	1.33	1.33	1.34	1.34	1.33	1.33	1.33	1.34
Heated surface area (m <sup>2</sup> /m)	1.03	1.37	2.09	3.37	4.66	5.51	2.44	3.84	5.24	6.18	3.51	5.62	7.74	9.15
Weight (kg/m)	9.82	13.00	9.31	14.51	19.70	22.90	14.29	22.04	29.80	34.50	16.80	25.90	35.00	40.53
Water contents (l/m)	2.57	3.20	1.89	2.57	3.25	3.77	3.70	5.15	6.60	7.63	3.70	5.15	6.60	7.63
Wall to tap centre (mm)	46	46	51	51	51	51	62	62	62	62	73	73	73	73

### COMPACT MOUNTING BRACKETS

All dimensions in mm. Inches in brackets. Floor mounting brackets available.



Dimensions	mm	inches	mm	inches	mm	inches	mm	inches
Height	300	11.81	450	17.72	600	23.62	700	27.56
A	65	2.56	65	2.56	65	2.56	65	2.56
B	119	4.69	99	3.90	99	3.90	99	3.90
C	-	-	269	10.59	419	16.50	519	20.43
D	153	6.02	303	11.93	453	17.83	553	21.77
E	185	7.28	335	13.19	485	19.09	585	23.03

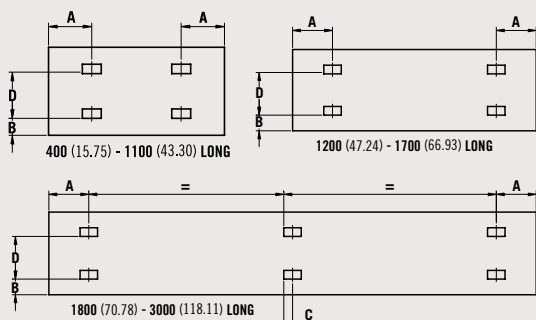
# Compact Horizontal

**Stelrad** Series



## K1, P+, K2 AND P1 LUG POSITIONS

All dimensions in mm. Inches in brackets.



## P1, P+ & K2

Dimensions	mm	in
<b>A</b>	133	5.24
<b>B</b>	60	2.36

## K1

Dimensions	mm	in
<b>A</b> 400mm	117	4.61
<b>A</b> 500 - 3000mm	150	5.91
<b>B</b> 400 - 3000mm	60	2.36
<b>C</b> 1800 - 3000mm	17	0.67

## PANEL HEIGHT

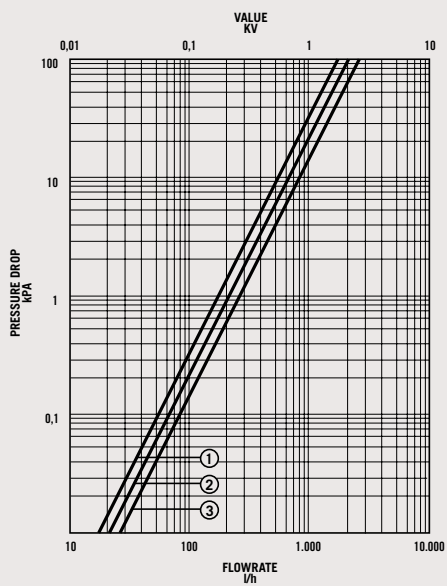
## D

mm	in	mm	in
300	11.81	155	6.10
450	17.72	305	12.01
600	23.62	455	17.91
700	27.56	555	21.95

## CONNECTIONS

Each radiator comes with 1/2" inlet connections as standard.

## PRESSURE DROPS



- ① Type 10 (P1), 11 (K1)
- ② Type 21 (P+), 22 (K2)
- ③ Type 33 (K3)

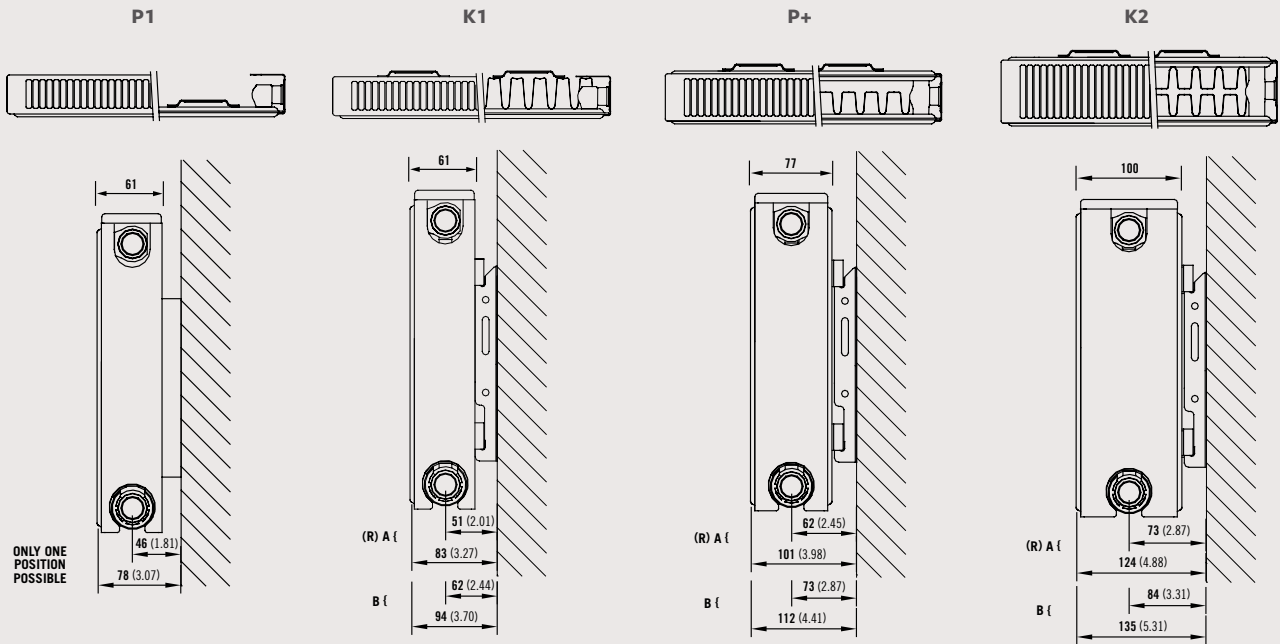
# Compact Horizontal

 **Stelrad** Series



## WALL MOUNTING INFORMATION

All dimensions in mm. Inches in brackets.  
Floor mounting brackets available.



## BRACKET POSITION

A = Closest to wall B = Furthest from wall (R) = Recommended mounting position.

## PIPING OPTIONS

