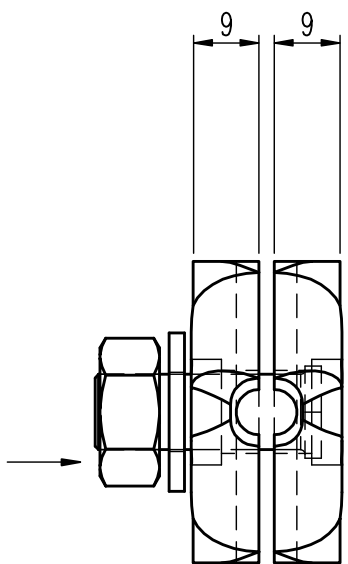
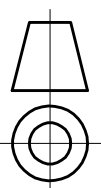
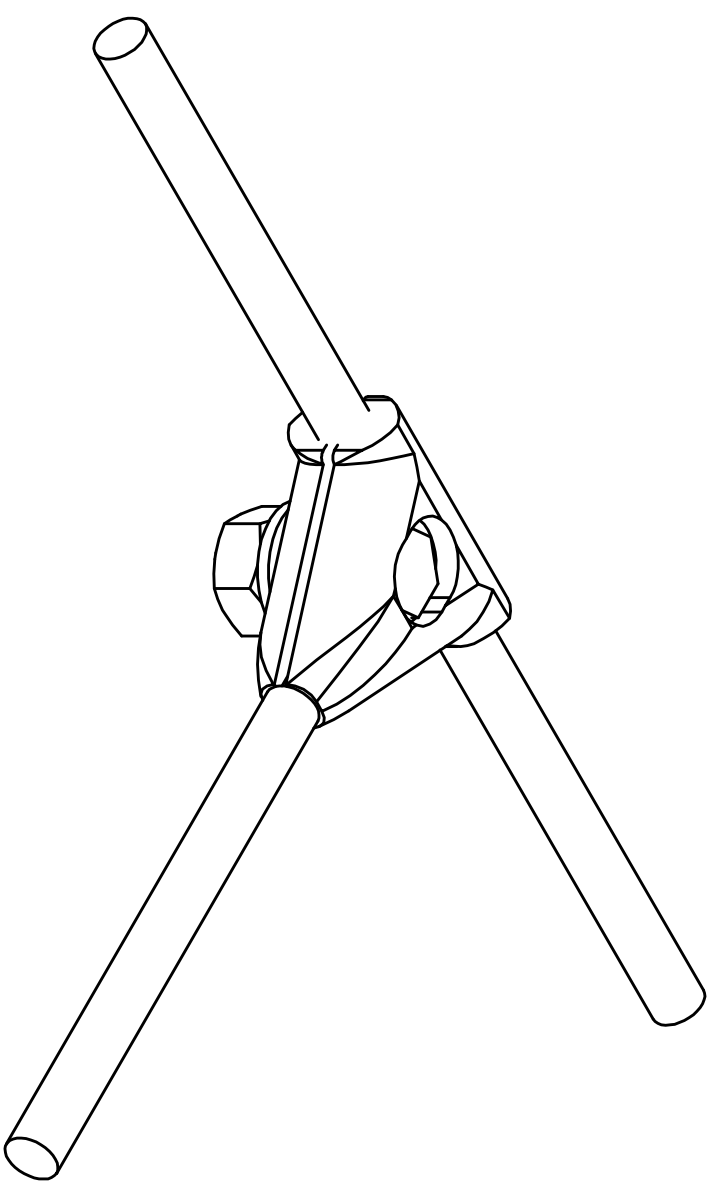
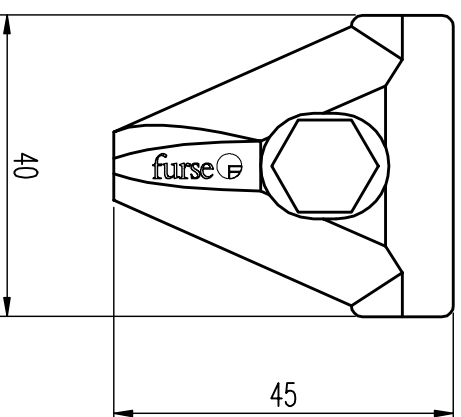


FIRST ANGLE PROJECTION



M10 x 30mm SETSCREW AND FIXINGS  
- STAINLESS STEEL



USED FOR CONNECTING 8MM SOLID CONDUCTOR

ISSUE	DATE	REVISION	C/NOTE	DRN	APP
4	06.04.00	DRAWING UPDATED (AUTOCAD R14)	600	J.B.	PW

GENERAL NOTES:  
1. All dimensions in mm unless stated otherwise.

W.J.FURSE RESERVE THE RIGHT TO ALTER  
THE DESIGN OF ANY PRODUCT WITHOUT NOTICE.

**A3**

**furse**

W.J. Furse & Co. Ltd.  
Wilford Road,  
Nottingham,  
NG2 1EB.  
Tel: 0115 986 3471.  
Fax: 0115 986 0538.

**Thomas & Bolts**

MATERIAL	TITLE	DATE	DRN
ALUMINIUM TO BS1474 - LM25(TF)	TEE CLAMP	06.04.00	J.B.
FINISH SELFCOLOUR	CAD REF DRG.No.	SCALE 1:1	CHKD PW
	\cad\elp\custmoer\fixtures\ CS510-C	SHEET 1 OF 1	APP PW
		DEPT E&LP.	REV 4