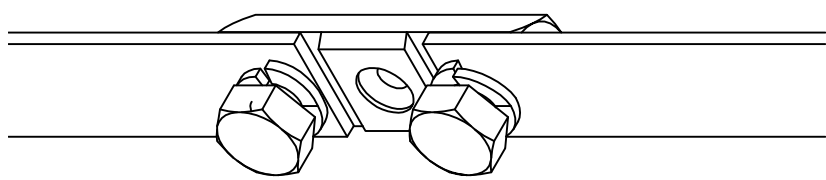
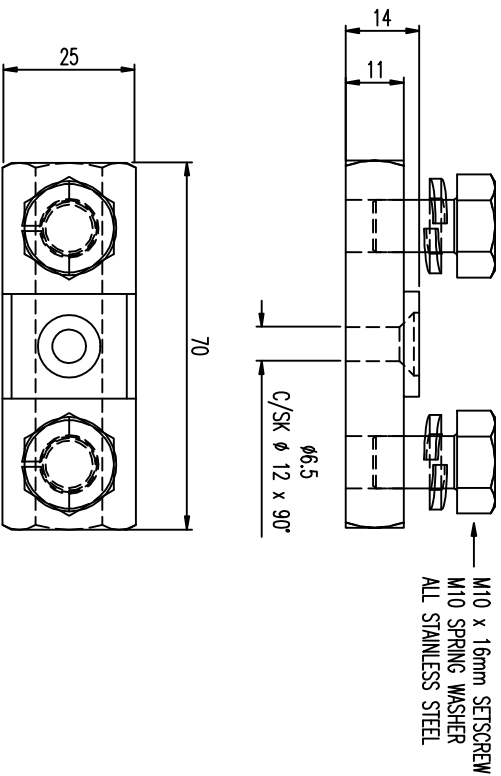


©
COPY RIGHT
RESERVED

FIRST ANGLE PROJECTION



CUSTOMER
DRAWING



NOTE :-
FIX TO THE WALL USING
No. 10 x 1/2" WOODSCREW AND WALL PLUGS

ISSUE	DATE	REVISION	C/NOTE	DRN	APP
5	11.04.00	DRAWING UPDATED (AUTOCAD R14)		J.B.	PW

A3

GENERAL NOTES:
1. All dimensions in mm unless stated otherwise.
W.J.FURSE RESERVE THE RIGHT TO ALTER
THE DESIGN OF ANY PRODUCT WITHOUT NOTICE.



W.J. Furse & Co. Ltd. Tel: 0115 986 3471
Widford Road, Nottingham NG2 1BB Fax: 0115 986 0338

Thomasotts

MATERIAL

STAINLESS STEEL

TITLE

STAINLESS STEEL BI-METALLIC
GRADE 316 S11

DATE

11.04.00

DRN

J.B.

SCALE

1:1

CHKD
PW

SHEET

1 OF 1

APP
PW

DEPT

E&LP.

REV
5

FINISH

SELFCOLOUR

CAD REF

\\cad\elp\manu\customer\

SHEET

1 OF 1

APP
PW

DEPT

E&LP.

REV
5

THIS DRAWING IS THE PROPERTY OF W.J.FURSE & Co. LTD., AND MAY NOT BE USED FOR ANY PURPOSE OTHER THAN FOR WHICH IT IS SUPPLIED.

SHEET REF TECH1 - C:\CAD\BORDERS\CUSTOMER\R14\CUS-AS.DWG REV 2.